

Savour

an Asian Tapas with a Twist



RED LIPS®



Made
with Original
Recipe



The Authentic Peranakan Taste

What is it?

A popular Peranakan 'Straits Chinese' heritage appetizer, the Kueh Pie Tee (*Tee Cups*) is often prepared during festive periods like the Lunar New Year or on special occasions such as birthdays and anniversaries.

Kueh Pie Tee Cups are a thin, crispy tart shell traditionally served with a spicy and sweet mixture of thinly sliced Jicama, carrot, fried bean curd and prawns.

Who are we?

We are a Singapore-based, ISO 22000 and Halal certified company with clients from Australia, North America, Hong Kong, Japan and many more.

These customers include Michelin-starred restaurants, award-winning hotels, resorts, caterers, supermarkets and food-service establishments.

Our slogan of "Building Trust Through Quality" underlies our dedication to serving up premium Peranakan delicacies of impeccable quality.





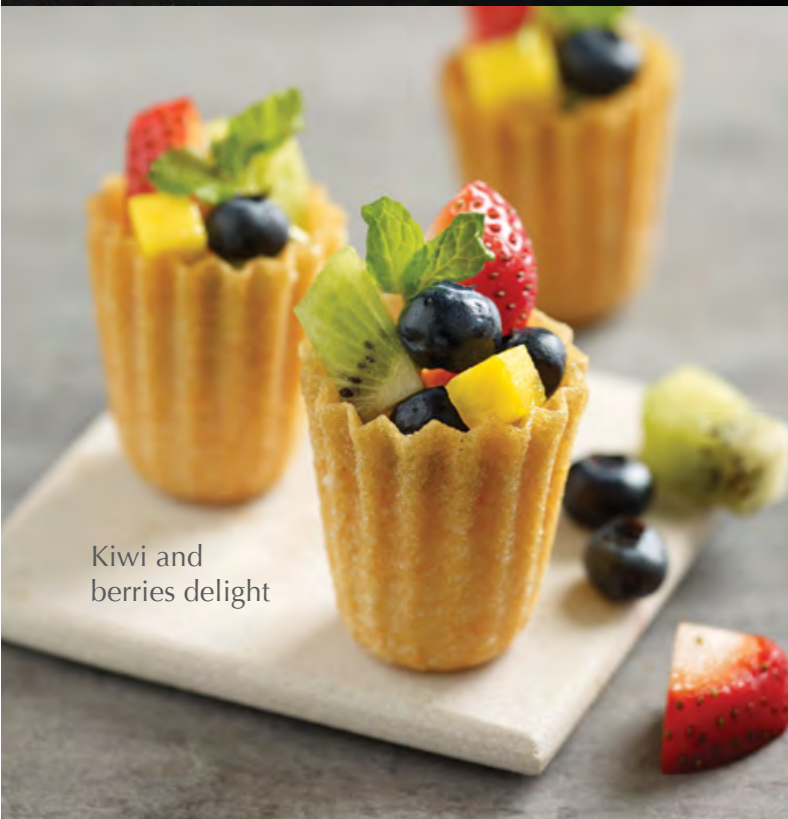
Ebiko, prawn with avocado



Crabmeat with mango salsa



Caviar, smoked salmon with capers



Kiwi and berries delight



Pomegranate with olive, tomato and mint and basil leaves



Quail's egg with sautéed mushroom

Perfect as hor d'œuvres or as an entrée, a plethora of non-traditional filling has emerged over the years to include gourmet selections ranging from smoked salmon with caviar to Hokkaido scallop with soba and wakame.

PRODUCT INFORMATION SHEET

Product Description: Regular Kueh Pie Tee Cups

Ingredients: Flour, eggs, vegetable oil, salt & pepper
(Might contain trace amounts of chilli powder, garlic, onions and ginger)

Dimensions

Average top diameter: 42mm
Average height: 45mm
Average thickness of wall: 1mm ±0.5mm

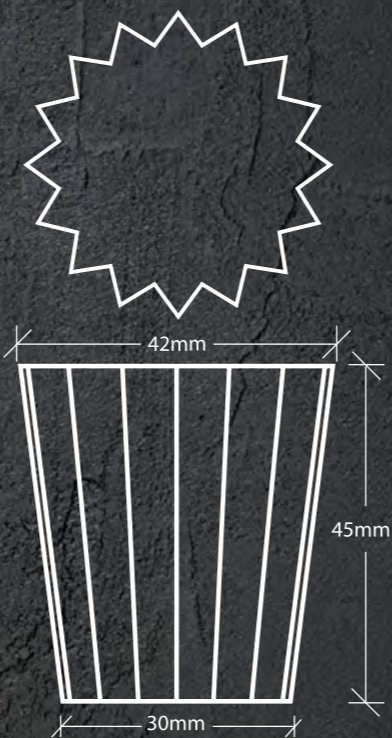
Storage conditions: Store in cool and dry place
Advised storage temperature: 25 deg.C
Advised storage humidity: 55±5%
Shelf life: 3 months

Packaging

Packaging container: Alu-Foil Bag (PET + PE + Foil + LLDPE)
Quantity per container: 15 regular cups per tray
Nett Weight per container: 65g ±10g
Weight per container: 100g ±10g
Containers per carton: 20 trays per carton / 30 carton per pallet
Weight per carton: 4.1Kg
Carton dimensions: 520mm x 308mm x 275mm

Analytical Date

Moisture content: 1.5%



Nutritional Data (per 100g)

Calories:	543kcal
Carbohydrate:	42.5g
Protein:	5.9g
Fat:	9.0g

Product Description: Mini Kueh Pie Tee Cups

Ingredients: Flour, eggs, vegetable oil, salt & pepper
(Might contain trace amounts of chilli powder, garlic, onions and ginger)

Dimensions

Average top diameter: 38mm
Average height: 38mm
Average thickness of wall: 1mm ±0.5mm

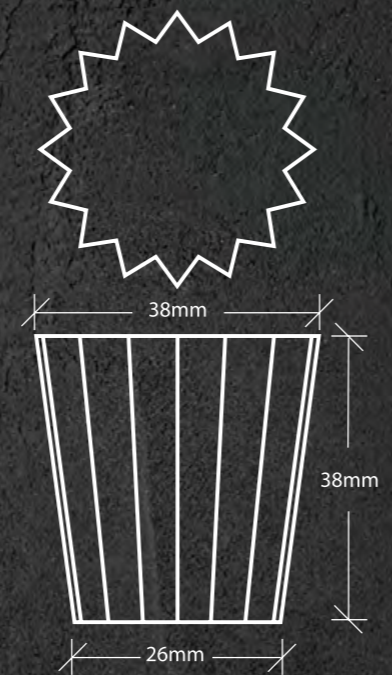
Storage conditions: Store in cool and dry place
Advised storage temperature: 25 deg.C
Advised storage humidity: 55±5%
Shelf life: 3 months

Packaging

Packaging container: Alu-Foil Bag (PET + PE + Foil + LLDPE)
Quantity per container: 20 mini cups per tray
Nett Weight per container: 75g ±10g
Weight per container: 110g ±10g
Containers per carton: 20 trays per carton / 30 carton per pallet
Weight per carton: 4.3Kg
Carton dimensions: 520mm x 308mm x 275mm

Analytical Date

Moisture content: 1.5%



Nutritional Data (per 100g)

Calories:	543kcal
Carbohydrate:	42.5g
Protein:	5.9g
Fat:	9.0g

*Building
Trust
Through
Quality*



*Made
with Original
Recipe*

Constantly Innovating

We love mixing tradition with technology and always stay ahead of the curve. You'll find creative innovations imbued into all our products.

Customer and Community Driven

All customers instantly become part of our ever-growing community. We are always listening to suggestions, many of which end up improving our core products.

We understand import and quarantine regulations. We have the capability to customise product recipe in order to facilitate customs clearance without compromising quality or taste.

We work in an
ISO 22K
Certified
Environment





Red Lips Foods Pte Ltd
Blk 3017 Bedok North St. 5
Gourmet East Kitchen #06-32
Singapore 486121

Tel: (+65) 6448 1048
Fax: (+65) 6448 8439
Email: contact@redlipsfoods.com

www.redlipsfoods.com



Red Lips Kueh Pie Tee